



Product Features

- ◆ Universal input voltage: 90~305Vac;
- ◆ Constant voltage output;
- ◆ High power factor >0.96(230Vac& full load);
- ◆ Overall protection: Short circuit / Over temperature / Over voltage / Over load;
- ◆ Surge immunity: line-line 5KV, line-earth 10KV;
- ◆ IP67, glue potted, suitable for dry / wet / damp locations;
- ◆ 5 years warranty.



Application

- ◆ Suitable for landscape lighting.

DESCRIPTION

LSV-200 series is constant voltage led driver, designed for lighting used for landscape illumination. The driver has built-in active PFC, multiple protections, and 10KV surge immunity. it's a excellent design with high reliability and long lifetime. 12V / 24V / 36V / 48V output voltage.

MODELS

Model Number	Max Output Power (W)	Output Voltage Range (Vdc)	Output Current Range (A)	Output Mode	Typical Efficiency	Power Factor	
						115Vac	230Vac
LSV-200B012	200	12	0~16.67	CV	91%	0.99	0.96
LSV-200B024	200	24	0~8.33	CV	92%	0.99	0.96
LSV-200B036	200	36	0~5.56	CV+CC	92%	0.99	0.96
LSV-200B048	200	48	0~4.17	CV+CC	92%	0.99	0.96

Notes:

All performance parameters are measured at 25°C ambient temperature, 230Vac input, full load conditions, except for those specified

INPUT SPECIFICATIONS

Parameter	Min.	Typ.	Max.	Notes
Input Voltage	90Vac	100-277Vac	305Vac	
Input Frequency	47Hz	50/60	63Hz	
Leakage Current	-	-	0.75mA	277Vac/50Hz
Input AC Current	-	-	2.8A	100-277Vac & full load
Inrush Current(A)	-	-	75A	Cold start, 230Vac & full load
Power Factor	0.95	0.96	-	230Vac, 100% load
THD	-	-	15%	230Vac, 80~100% load

OUTPUT SPECIFICATIONS

Parameter	Min.	Typ.	Max.	Notes
Output Current Tolerance	-5%	-	5%	Full load
Output Ripple Voltage	-	-	10%	Full load, Measured by 20 MHz bandwidth oscilloscope and the output paralleled a 0.1uF ceramic capacitor and a 10uF electrolytic capacitor.
Output overshoot	-	-	10%	When the power is on
Line Regulation	-	-	3%	25°C±10°C ambient temperature, input voltage changes from 90Vac to 305Vac.
Load Regulation	-	-	3%	25°C±10°C ambient temperature, 230Vac input, load changes from 50% to 100%.
Turn-on Delay Time	-	-	3S	115Vac, 100% load
	-	0.5S	1S	230Vac, 100% load

GENERAL SPECIFICATIONS

Parameter		Min.	Typ.	Max.	Notes
Efficiency @115Vac					Measured at full load and 25°C ambient temperature
Vo=12V		86%	88%		
Vo=24V		87%	89%		
Vo=36V		87%	89%		
Vo=48V		87%	89%		
Efficiency@230Vac					Measured at full load and 25°C ambient temperature
Vo=12V		89%	91%		
Vo=24V		90%	92%		
Vo=36V		90%	92%		
Vo=48V		90%	92%		
Efficiency@277Vac					Measured at full load and 25°C ambient Temperature, full load.
Vo=12V		89%	91%		
Vo=24V		90%	92%		
Vo=36V		90%	92%		
Vo=48V		90%	92%		
Dielectric Strength	Input-Output	-	3750Vac	-	10mA/60S
	Input-PE	-	1600Vac	-	
	Output- PE	-	500Vac	-	
Grounding Resistance		-	-	0.1Ω	25A/60S
Insulation Resistance		50MΩ	-	-	Input-Output,Input-PE,Output-PE,500Vdc/60S/25°C/70%RH
MTBF		-	200000 Hours	-	230Vac,80% load (MIL-HDBK-217F)
Lifetime		-	50000 Hours	-	230Vac&100% load,70°C case temperature, refer to lifetime VS Tc curve for details
Operating Case Temperature for Safety Tc_s		-40°C	-	+85°C	
Operating Case Temperature for Warranty Tc_w		-40°C	-	+70°C	
Storage Temperature		-40°C	-	+85°C	Humidity: 20% to 95% RH
Dimensions (L×W×H)mm		232*68*43.5mm			LSV-200B012&LSV-200B024
		247*68*43.5mm			LSV-200B036&LSV-200B048
Net Weight		1350±100g/PCS			
Package		L500*W390*H170mm; 10PCS/Ctn.			

SAFTY STANDARDS

Safety Category	Country / Territory	Standards
CCC	China	GB19510.1, GB19510.14
CE	China	EN61347-1, EN61347-2-13
CB	CB Countries	IEC61347-1, IEC61347-2-13
BIS	India	IS 15885(PART 2/SEC 13)
UL	USA	UL 8750
CUL	Canada	CSA C22.2 No.250.13
KC	South Korea	K61347-1, K61347-2-13, K62384
PSE	Japan	J61347-1, J61347-2-13
SAA	Australia	AS/NZS IEC 61347-2-13
		AS/NZS 61347.1

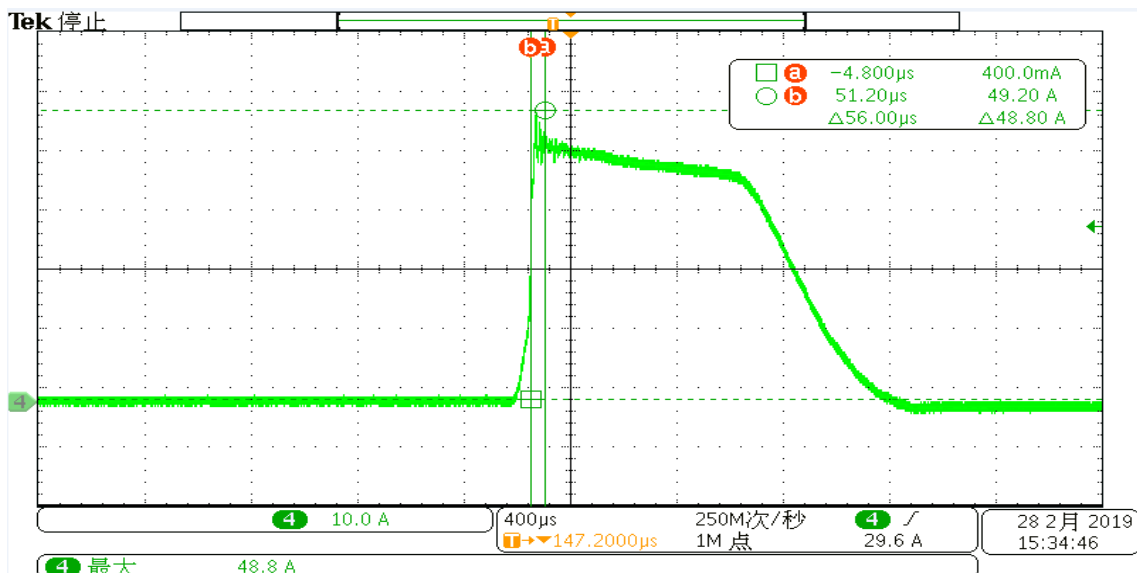
EMC COMPLIANCE

EMC Category	Country / Territory	Standards
CCC	China	GB 17743, GB 17625.1
CE	Europe	EN 55015
		EN 61000-3-2, EN 61000-3-3
		EN61000-4-2,3,4,5,6,8,11
		EN 61547
KC	South Korea	K61547
		K00015
PSE	Japan	J55015
FCC	USA	FCC part 15

NOTE:

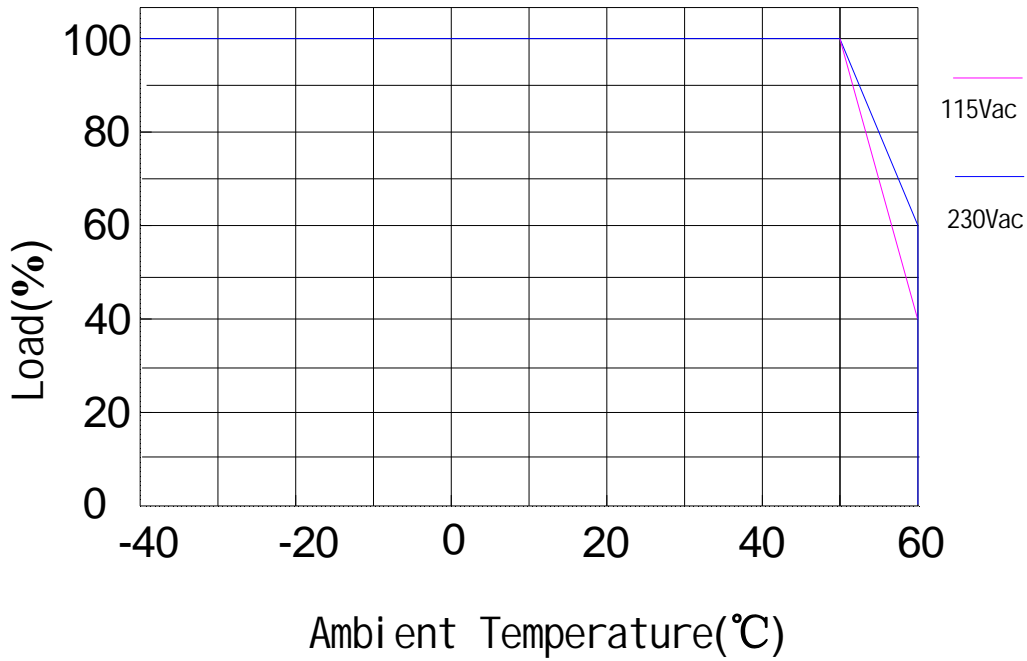
This LED driver meets the EMI specifications above, but EMI performance of a luminaire that contains it depends also on the other devices connected to the driver and on the fixture itself.

INRUSH CURRENT WAVEFORM



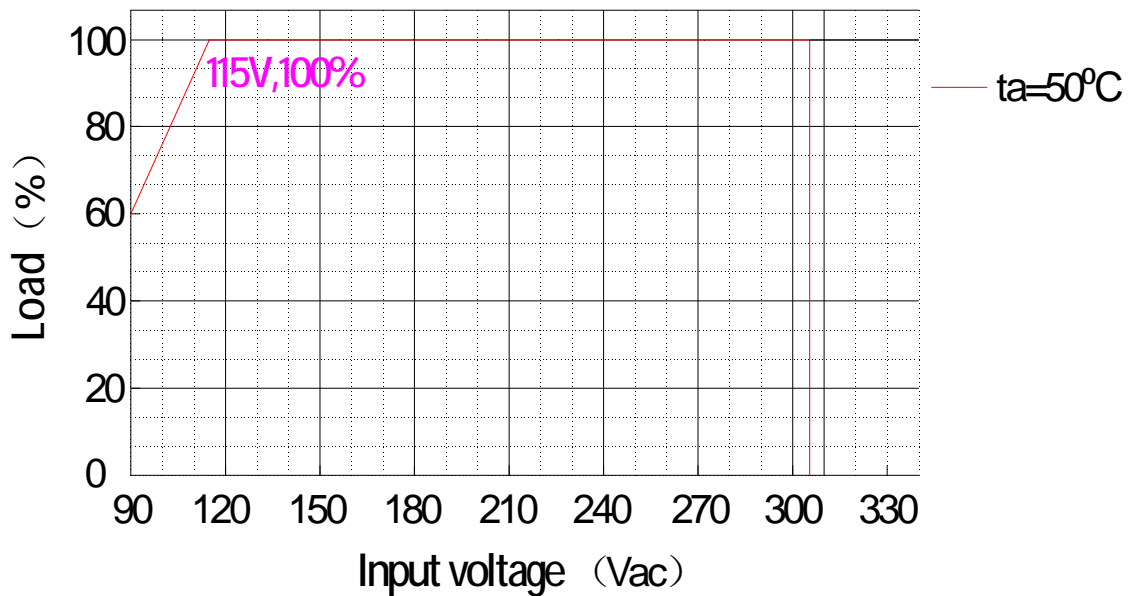
DERATING CURVE

Temperature vs. Load Curve

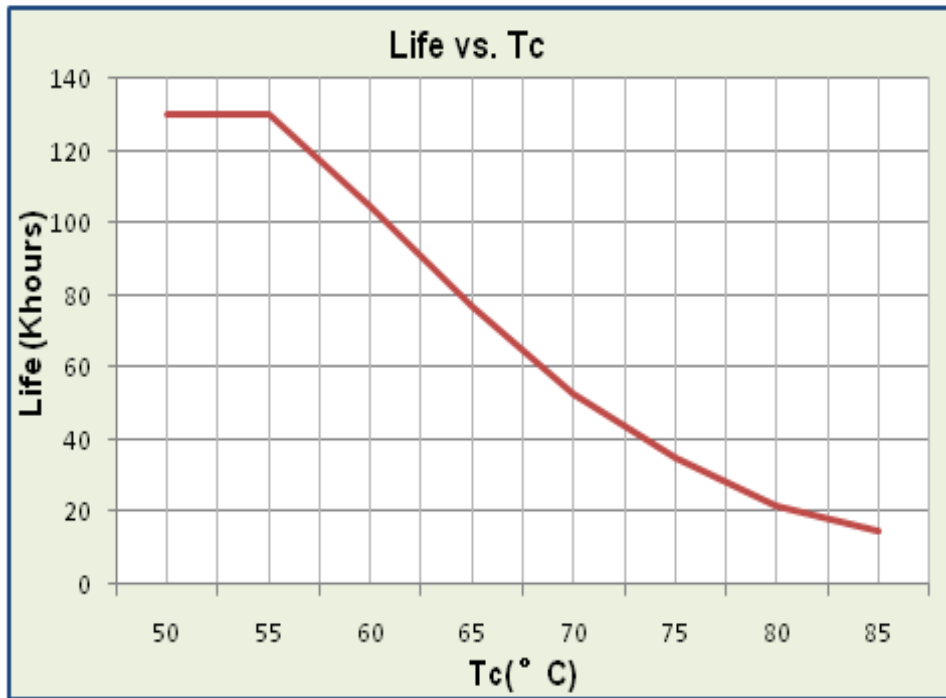


OUTPUT POWER VS INPUT VOLTAGE

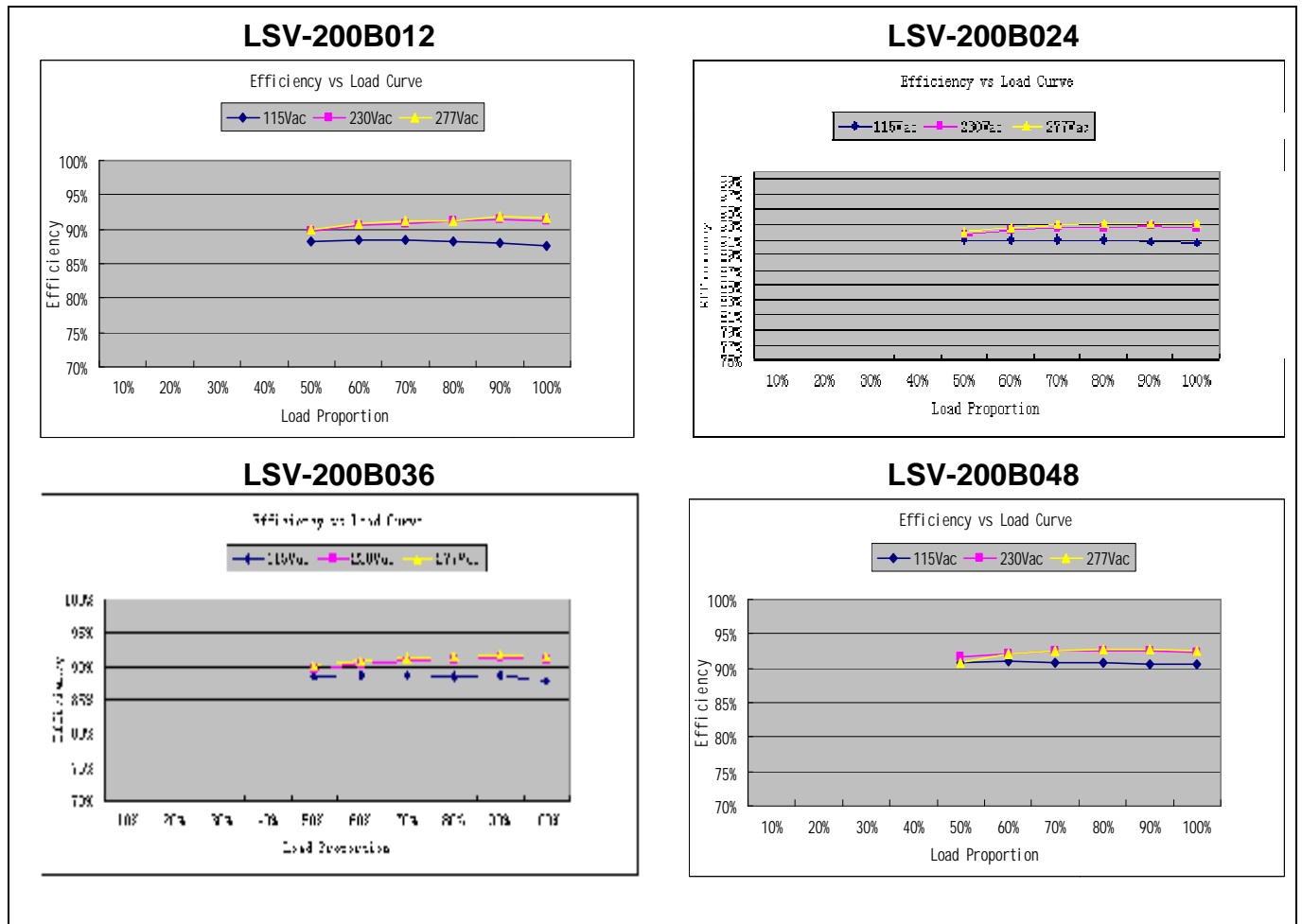
Input voltage vs. Load Curve



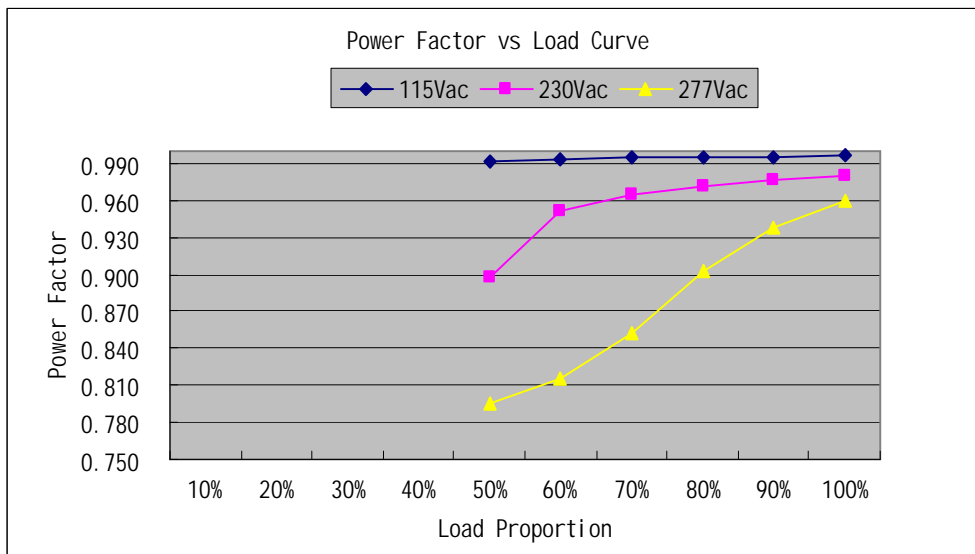
LIFETIME VS CASE TEMPERATURE



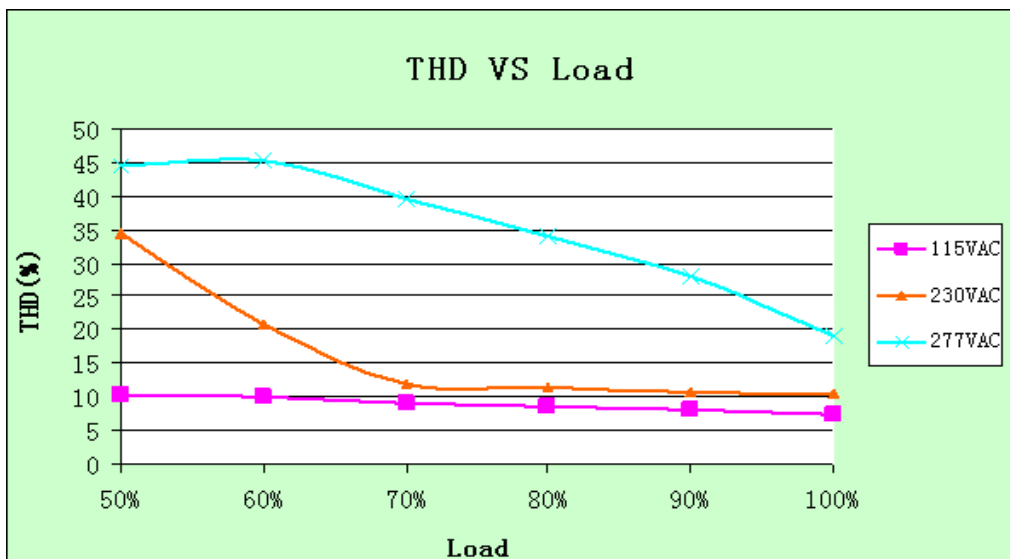
EFFICIENCY VS LOAD



POWER FACTOR VS LOAD



TOTAL HARMONIC DISTORTION

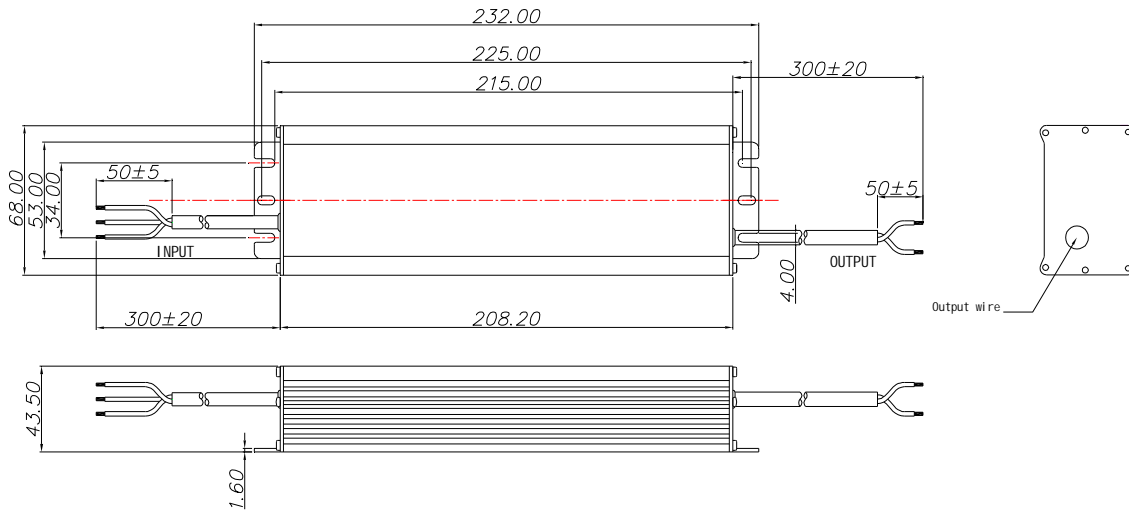


PROTECTIONS

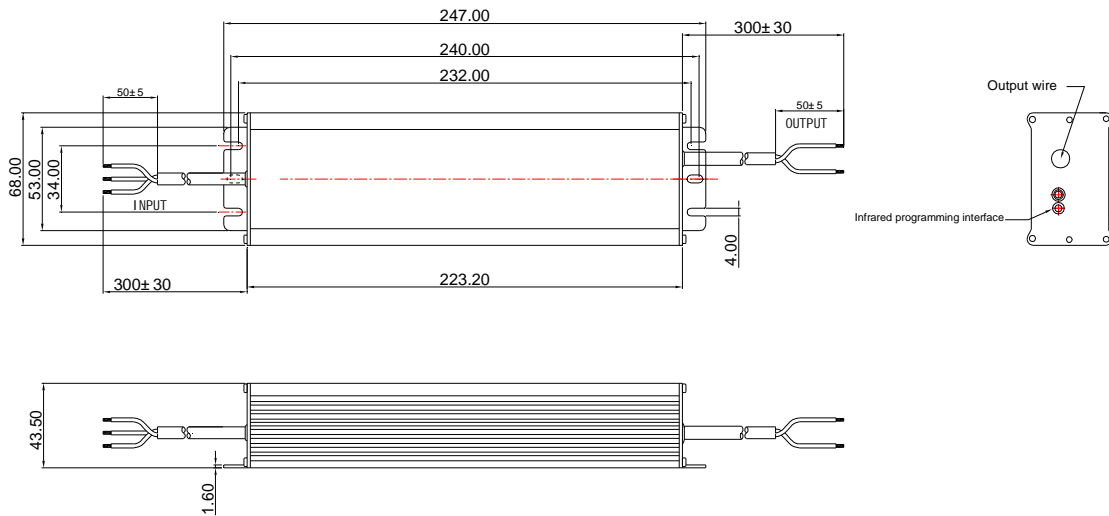
Parameter	Notes
Over Temperature Protection	When the Tc is over 90°C, the driver shuts off automatically and enters protection status.
Short Circuit Protection	The input power shall decrease when the output rail short, the power supply shall not be damaged.
Over current protection	The product will enter hiccup status when 1.1-2.0 maximum load current applied to the output, and the product shall be self-recovery when the fault condition is removed.
Over Voltage Protection	When the output voltage is over 1.1-1.3 Rated Load Voltage, the driver shuts off automatically and enters protection status, the driver will work normally after fault condition removed and AC input reapply.

MECHANICAL OUTLINE

LSV-200B012&LSV-200B024 types



LSV-200B036&LSV-200B048 types



Wire	Specification	Note
AC Input	CCC+VDE 3x1.0mm ² L=300mm	for CE
	18AWG 3C L=300mm	for UL
DC Output	14AWG 2C L=300mm	for 12V
	16AWG 2C L=300mm	for 24V
	CCC+VDE 2x1.0mm ² L=300mm	for 36V&48V CE
	18AWG 2C L=300mm	for 36V&48V UL

REVISION HISTORY

Version	Description of Change		Date	Notes
	Before	Now		
B.2	—	Datasheets Release	2018-07-11	